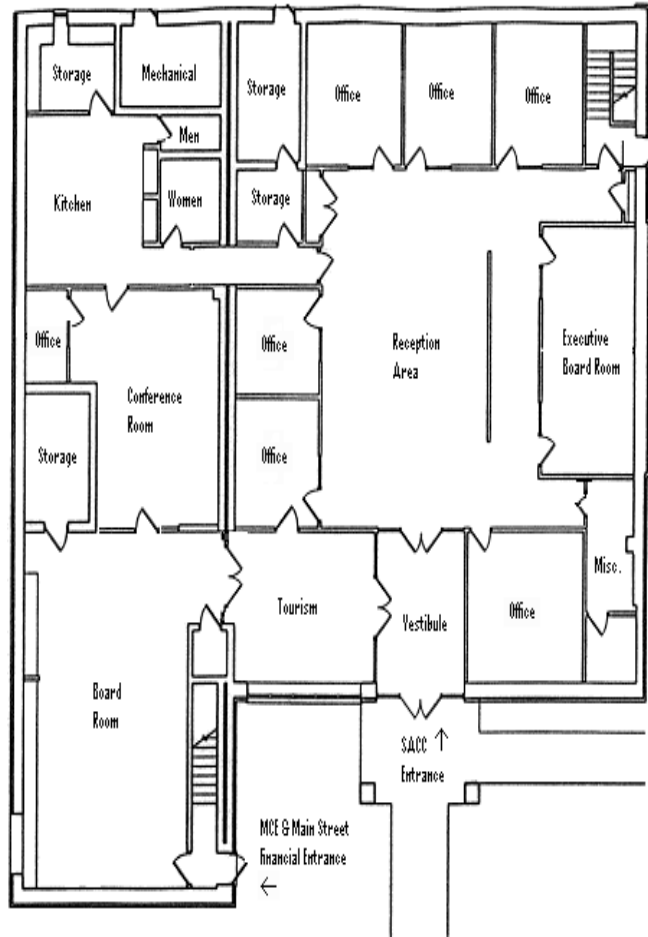


Salisbury Area Chamber of Commerce

The Salisbury Area Chamber of Commerce was established for and is dedicated to maintaining itself as the primary advocate, voice, and resource for business organizations in the area.

Founded in the spring of 1920, the Chamber of Commerce has grown to over 880 member companies spanning 7 counties. Our mission remains to support business to ensure their continued success and thus to maintain the quality of life enjoyed on the Eastern Shore.



Salisbury Area Chamber of Commerce



Entrance level floor plan

- Handicap accessible
- Kitchen facilities available
- Discount member rates

Salisbury Area Chamber of Commerce

144 East Main Street

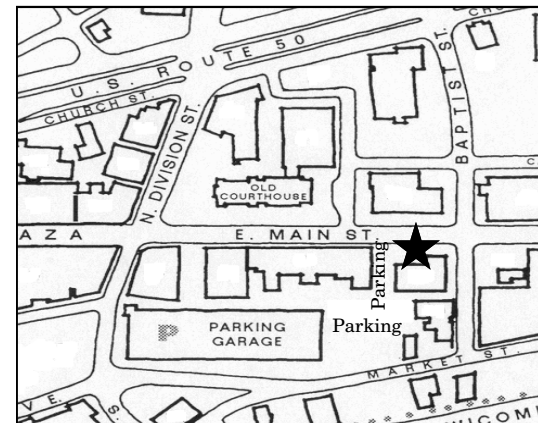
Salisbury, MD 21801

Phone: 410-749-0144

Fax: 410-860-9925

chamber@salisburyarea.com

www.salisburyarea.com



Driving Directions

From the West: Approaching on Route 50, turn right at Baptist Street, continue 2 blocks to the 4-way stop at Main Street. Turn right, the Chamber is on your left.

From the East: Approaching on Route 50, turn left at Baptist Street, continue 2 blocks to the 4-way stop at Main Street. Turn right, the Chamber is on your left.

From the North: Approaching on Route 13, just after crossing over Route 50 turn right at the light onto Main Street. Proceed 2 blocks, the Chamber is on the southwest corner of Baptist and Main Street.

From the South: Approaching on Route 13 through Salisbury approximately 2 blocks north of the hospital, make a left at the light onto Main Street. Proceed 2 blocks, the Chamber is on the southwest corner of Baptist and Main Street.



Chamber Business Center



“Get Connected”

Salisbury Area Chamber of Commerce

We bring businesses together to build a better community!

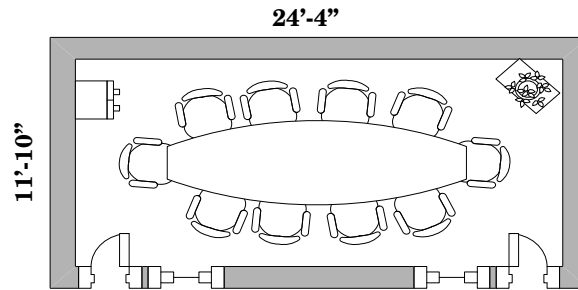
Welcome to the Chamber Business Center

We are confident you will enjoy our bright, comfortable, and private meeting rooms. Three different size rooms are available to members and non-members at reasonable rates. These rooms are ideal for:

- *Company-sponsored events*
- *Off-site training*
- *Position interviews*
- *Company retreats and strategic planning sessions*
- *Court depositions*
- *Focus groups*
- *Product demonstrations*
- *Receptions*

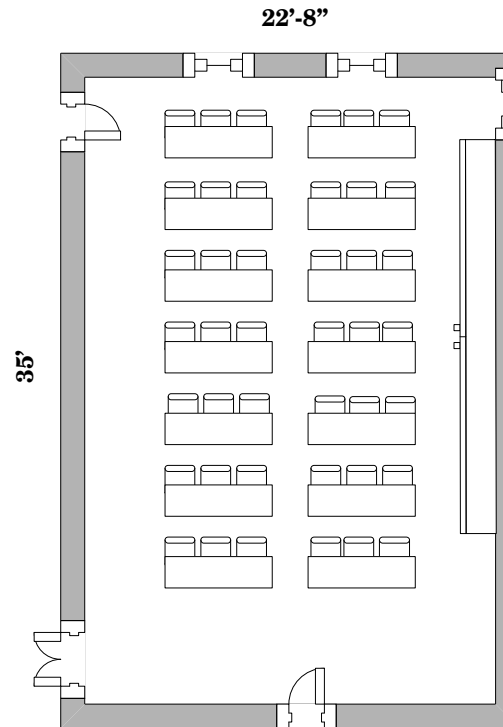
Meeting Room Options

Executive Boardroom



Conference: 10 (shown)

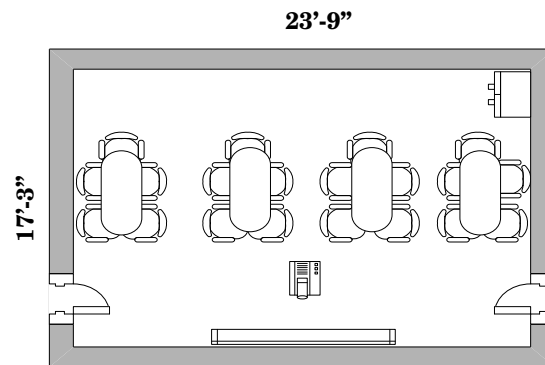
Boardroom



Classroom: 42 (shown)

- Theater: 60
- U-Shape: 30
- Rectangle: 36
- Conference: 34

Conference Room



Presentation: 20 (shown)
 Conference: 17
 Luncheon/Dinner: 17

*Other seating arrangements are available

Chamber Room Rates

Member Rate

- Executive Boardroom
 - \$25 half day / \$50 full day
- Conference Room
 - \$50 half day / \$75 full day
- Boardroom
 - \$75 half day / \$100 full day

Non-Member Rate

- Executive Boardroom
 - \$50 half day / \$75 full day
- Conference Room
 - \$75 half day / \$100 full day
- Boardroom
 - \$100 half day / \$125 full day

(Multiple day discounts considered)

Audio Visual

LCD projector & laptop	\$100
TV / VCR	\$40
Flip chart & supplies	\$10

Services Available

Catering list available
 Wireless Internet connection